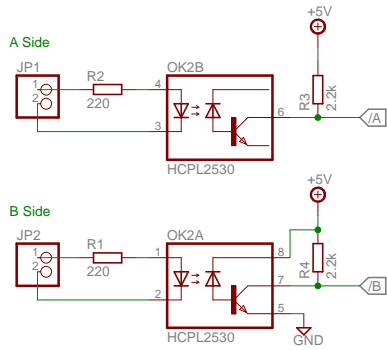
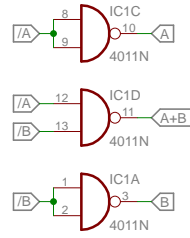


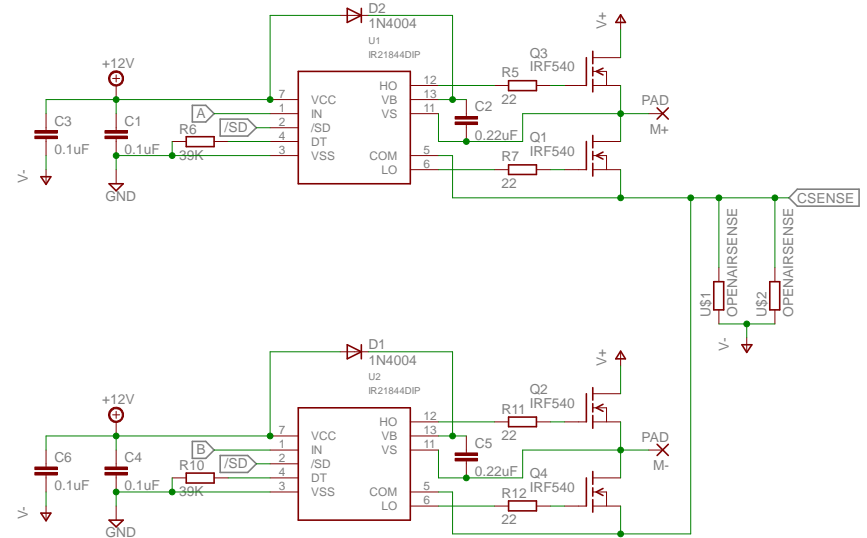
Opto-isolation



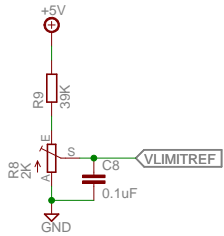
Input Conversion



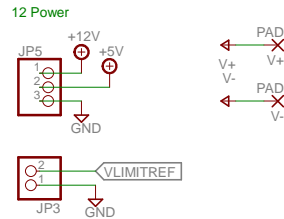
H-Bridge



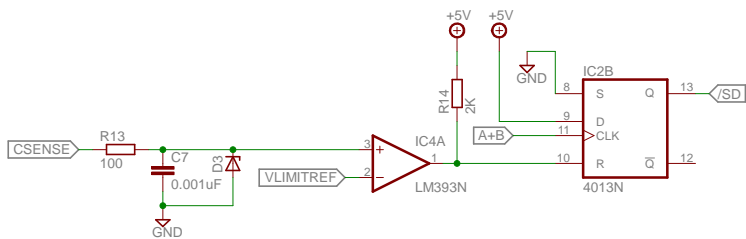
Adjustable Current Reference



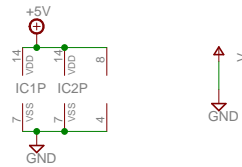
Connectors



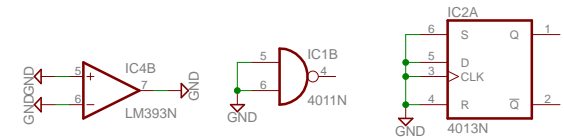
Current Compare & Cutout



Chip Supply & Power



Unused Gates



Medium Power PWM H-Bridge v0.1	Ivan Hamilton
	hBridge
	28/08/2011 11:38:43 AM
	Sheet: 1/1